

# Bookshelf loudspeakers

## RAPTOR X

wilson

### MOST UNIVERSAL RAPTOR SPEAKER

The Raptor X is a speaker that complements advanced home theater systems, creating an extra dimension of sound that has a significant impact on the experience due to the layer of height. As a result, effects from dynamic action movies, where people and objects are often in intense motion, create a heightened experience of being at the center of the action.

### PROVEN TO BE USED IN ATMOS AND OTHER 3D AUDIO SETUPS

The Raptor X is also a very versatile loudspeaker. It can be used both in cinema systems using movie soundtracks encoded in Atmos, Auro-3D or DTS-X standards, being a great partner of brand-name multi-channel AV receivers.

### WALL MOUNTING OPTION

It can also be used simply as a wall-mounted speaker in stereo systems, or be a high-quality element of PA (Public Announcement) broadcasting systems, e.g. in public places.

The truncated, angled design of the Raptor X loudspeaker makes it ideal for applications where sound reflection is desired. In modern multi-channel systems, it can either be hung on the wall or placed directly on the floor-standing front speakers of a home theater system, from where it will be an excellent source of height layer signal.

These speakers can be used both with speakers of the same Raptor series, such as Raptor 7, to which they are perfectly matched in terms of design and style, but also with loudspeakers of other brands, to which the minimalist design of the black cabinet can be successfully applied.



Cabinet: White with wood grain texture  
Grille: black  
EAN: 5903402874017



Cabinet: Black with wood grain texture  
Grille: black  
EAN: 5903402874000



# Bookshelf loudspeakers

## RAPTOR X

wilson

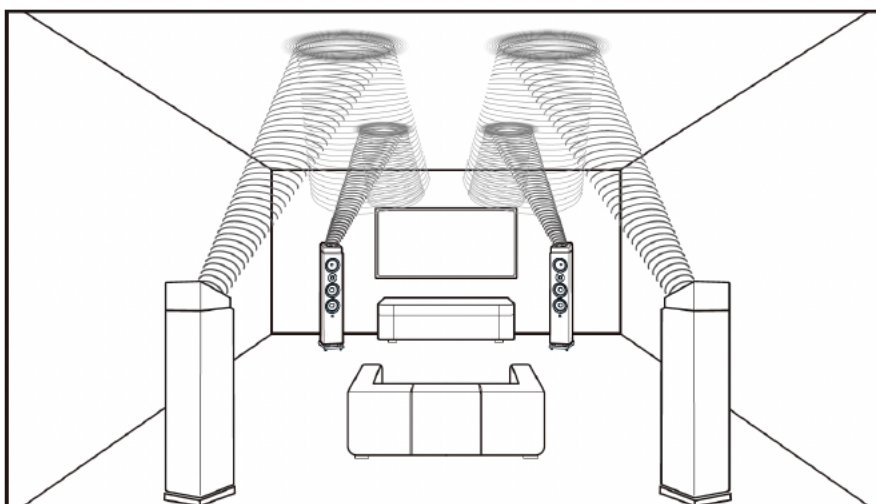
### SAME RAPTOR SERIES STYLE OF FINISH

The design elements Raptor X shares with the other brothers of the Raptor family. You'll find the same attention to quality of best-in-class materials and components of acoustical and electrical design, so there are secure, gold-coated screw terminals for secure cable connection. They are positioned so that no matter where they are located they do not present a challenge to the user, yet are not visible in normal use.

### DRIVERS AND ACOUSTICS

The heart of the system is a 1" soft dome tweeter and a 5" mid/bass driver. As in other Raptor speakers, aluminum voice coils are used here as well, which at high volume levels provide effective protection against overheating of the drivers themselves.

### SAMPLE ATMOS SETUP - RAPTOR X UP FIRING TO THE CEILING



### SPECIFICATION

Recommended amplifier:	25-100 W
Frequency response ( $\pm 3$ dB)	80 - 20.000Hz
Sensitivity (2.83V / 1m)	83 dB
Impedance	4-8 ohms
Maximum efficiency (SPL)	100 dB
Crossover/division frequency	2500 Hz
Tweeter	1" (25mm) soft dome
Low-midrange driver	1x4"
Cabinet type	closed
Speaker terminals	single
Dimensions (H x W x D) vertical	278 x 195 x 150 mm
Finish colors	Black EAN: 5903402874000 White EAN: 5903402874017
Weight	2.60kg

Raptor series: 9 Max/9/7/5/3/1/Mini/Vocal/X



Bookshelf loudspeakers  
**RAPTOR X**

**wilson**

